



FILE NO.:	6043.130
DATE:	October 15, 2013
SUPERSEDES:	6043.130
DATE:	May 31, 2013

VERTICAL IN-LINE

PARTS LIST

SERIES 4380

**EQUAL SUCTION & DISCHARGE
"M" DESIGNATION**

1-1/4" IMPELLER BORE -- 1-5/8" MECHANICAL SEAL

NEW DESIGN

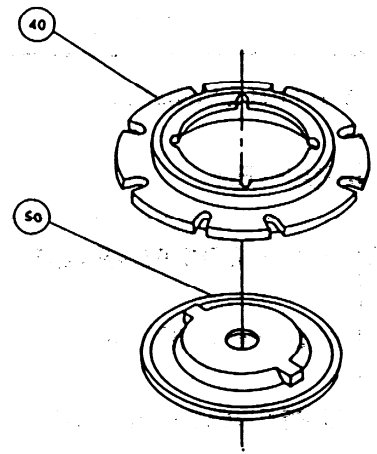
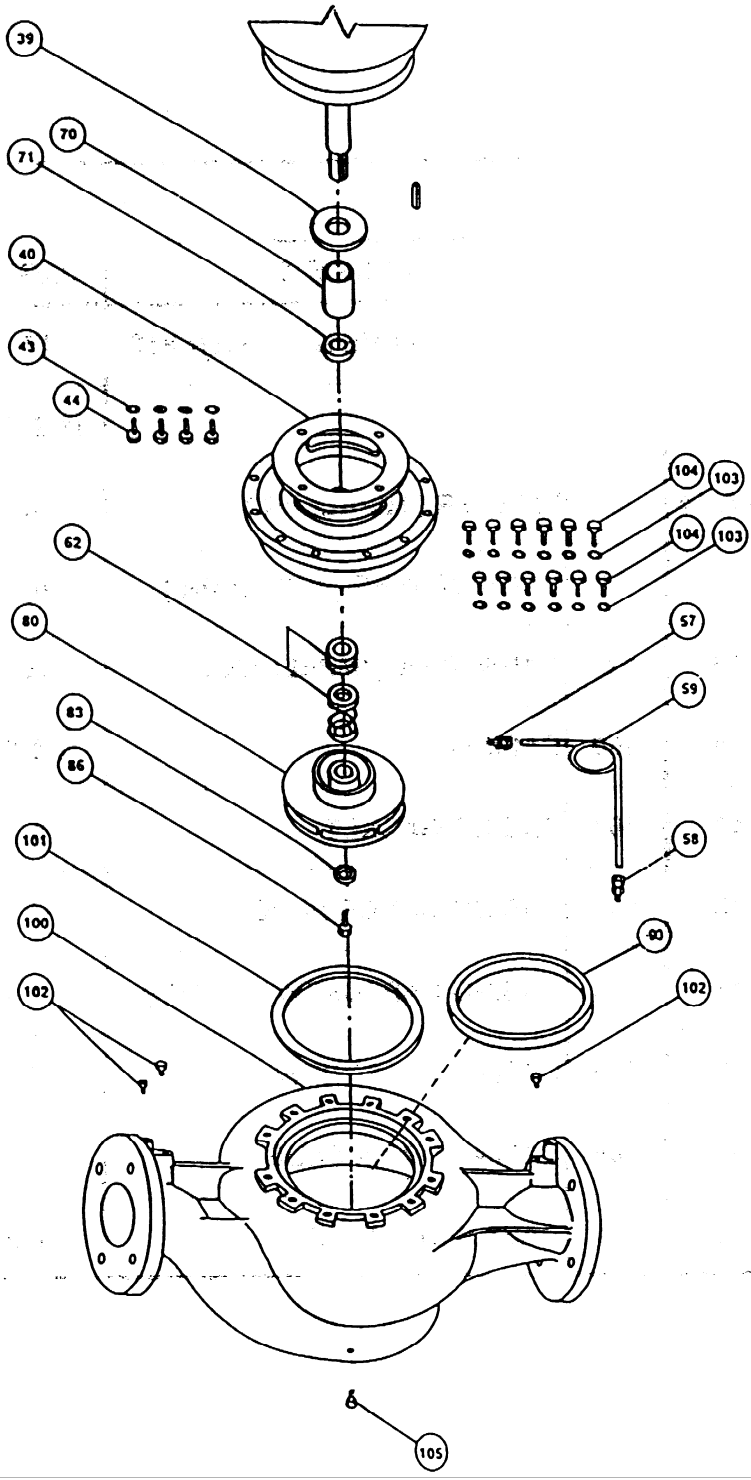
4380 POWER FRAMES: ALL SPEEDS

SPEED	MOTOR HORSEPOWER																		
	1/2	3/4	1	1 1/2	2	3	5	3	5	7 1/2	10			15	20			25	30
1150 RPM	3/4	1	1 1/2 & 2	3	5	7 1/2	10	7 1/2	10	15	20			25	30			40	50
1750 RPM	1	1 1/2	2 & 3	5	7 1/2	10	15	10	15	20	25	30	40			50	60		
3500 RPM																			
FRAME	56C	143JM	145JM	182JM	184JM	213JM	215JM	213JP	215JP	254JM	256JM	284JM	286JM	284JP	286JP	324JM	326JM	324JP	326JP
PUMP SIZE																			
1 1/2 X 1 1/2 X 6	S	S	S	S	S	S													
2 X 2 X 6	S	S	S	S	S	S	S												
3 X 3 X 6	S	S	S	S	S	S	S												
4 X 4 X 6W		S	S	S	S	S	S			M	M								
1 1/2 X 1 1/2 X 8	S	S	S	S	S			M	M										
2 X 2 X 8	S	S	S	S	S			M	M	M	M	M	M						
3 X 3 X 8	S	S	S	S	S			M	M	M	M	M	M			M	M		
4 X 4 X 8		S	S	S	S			M	M	M	M	M	M			M	M		
5 X 5 X 8		S	S	S	S			M	M	M	M	M	M			M	M		
6 X 6 X 8		S	S	S	S			M	M	M	M								
8 x 8 x 8				S	S			M	M	M	M								
1.5 X 1.5 X 10		S	S	S	S			M	M	M	M			M	M			M	M
2 X 2 X 10		S	S	S	S			M	M	M	M			M	M			M	M
3 X 3 X 10		S	S	S	S			M	M	M	M			M	M			M	M
4 X 4 X 10		S	S	S	S			M	M	M	M			M	M			M	M
6 X 6 X 10		S	S	S	S			M	M	M	M			M	M				
8 X 8 X 10								M	M	M	M			M	M			M	M
4 X 4 X 11 1/2		S	S	S	S			M	M	M	M			M	M				
5 X 5 X 11 1/2								M	M	M	M			M	M				
6 X 6 X 11 1/2								M	M	M	M			M	M			M	M
8 X 8 X 11 1/2										M	M			M	M			M	M
3 X 3 X 13								M	M	M	M			M	M				
4 X 4 X 13								M	M	M	M			M	M			M	M
5 X 5 X 13										M	M			M	M			M	M
5 x 5 x 13H										M	M			M	M			M	M
6 X 6 X 13										M	M			M	M			M	M
6 x 6 x 13H										M	M			M	M			M	M
8 X 8 X 13										M	M			M	M			M	M

"S" DESIGNATION - 7/8" IMPELLER BORE, 1 1/4" MECHANICAL SEAL

"M" DESIGNATION - 1 1/4" IMPELLER BORE, 1 5/8" MECHANICAL SEAL

**4380 NEW STYLE VERTICAL PUMP
 EQUAL SUCTION AND DISCHARGE
 "M" DESIGNATION
 1 1/4" IMPELLER BORE -- 1 5/8" MECHANICAL SEAL**



Separate Adapter and Stuffing Box
 For Pumps:- 3 X 3 X 13
 4 X 4 X 13
 6 X 6 X 13
 FRAME 213-215JP ONLY

SEE PAGE 3 FOR PARTS INDEX

MODEL 4380 VERTICAL IN-LINE

EQUAL SUCTION AND DISCHARGE

PUMP PARTS

INDEX					
ITEM	DESCRIPTION	PAGE	ITEM	DESCRIPTION	PAGE
39	WATER SLINGER	16	70&71	SHAFT SLEEVE & SPACER KIT	17
40	ADAPTER	14	80	IMPELLER	11 & 12
40/50	STUFF. BOX/ADAPTER	13 & 14	83	WASHER (IMPELLER)	16
43	WASHER (MOTOR)	15	84	LOCKWASHER (IMPELLER)	16
44	CAPSCREW (MOTOR)	15	86	CAPSCREW (IMPELLER)	16
50	STUFFING BOX	14	100	CASING	4 & 5
57	MALE CONNECTOR	18	101	CASING GASKET	6
58	MALE CONNECTOR	18	102	CASING GAUGE PLUG	18
59	TUBING	18	103	CASING CAPSCREW WASHER	7
62	MECHANICAL SEAL KIT	16	104	CASING CAPSCREW	7
70	SHAFT SLEEVE	16	105	CASING DRAIN PLUG	8
71	SHAFT SLEEVE SPACER	16	90	CASE WEAR RING	9 & 10

VERTICAL IN-LINE MODEL 4380 PUMP PARTS

EQUAL SUCTION AND DISCHARGE

"M" SIZE - 1 1/4" IMPELLER BORE - 1 5/8" MECHANICAL SEAL

ITEM 100 CASING**

PUMP SIZE	MATERIAL	PART NUMBER	BAR CODE
4X4X6	125# C.I.	427043-011	
4X4X6	250# D.I.	427044-031	
1 1/2X1 1/2X8	125# C.I.	427045-011	
1 1/2X1 1/2X8	250# D.I.	427046-031	
2X2X8	125# C.I.	427047-011	
2X2X8	250# D.I.	427048-031	
3X3X8	125# C.I.	427051-011	
3X3X8	250# D.I.	427052-031	
4X4X8	125# C.I.	426241-011 [†]	
4X4X8	250# D.I.	426242-031 [†]	
5X5X8	125# C.I.	427024-011	
5X5X8	250# D.I.	427025-031	
6X6X8	125# C.I.	427055-011	
6X6X8	250# D.I.	427056-031	
8X8X8	125# C.I.	427915-011	
8X8X8	250# D.I.	427916-031	
1.5X1.5X10	125# C.I.*	426257-011	
1.5X1.5X10	250# D.I.*	426258-031	
2X2X10	125# C.I.*	427059-011	
2X2X10	250# D.I.*	427060-031	
3X3X10	125# C.I.	427061-011	
3X3X10	250# D.I.	427062-031	
4X4X10	125# C.I.	427063-011	
4X4X10	250# D.I.	427064-031	

NOTES: C.I.* DENOTES CAST IRON and D.I.* DENOTES DUCTILE IRON

For other constructions change the suffix to the following:

ALL BRONZE CONSTRUCTION -041

STAINLESS STEEL CONSTRUCTION -071

** CASING PART NUMBERS ARE FOR CASING ONLY, CASING WEAR RING IS SOLD SEPARATELY

[†] For 4x4x8 units pre-July 2010, replacing the casing also requires changing the impeller to a post-July 2010 impeller. See impeller part numbers for more details or consult factory

CASINGS CONTINUED ON PAGE 5

VERTICAL IN-LINE MODEL 4380 PUMP PARTS EQUAL SUCTION AND DISCHARGE

"M" SIZE - 1 1/4" IMPELLER BORE - 1 5/8" MECHANICAL SEAL

ITEM 100 CASING** (cont'd)			
PUMP SIZE	MATERIAL	PART NUMBER	BAR CODE
6X6X10	125# C.I.	427065-011	
6X6X10	250# D.I.	427066-031	
8X8X10	125# C.I.	427067-011	
8X8X10	250# D.I.	427068-031	
4X4X11 1/2	125# C.I.	426119-011	
4X4X11 1/2	250# D.I.	426120-031	
5X5X11 1/2	125# C.I.	426123-011	
5X5X11 1/2	250# D.I.	426124-031	
6X6X11 1/2	125# C.I.	426127-011	
6X6X11 1/2	250# D.I.	426128-031	
8X8X11 1/2	125# C.I.	426131-011	
8X8X11 1/2	250# D.I.	426132-031	
3x3x13	125# C.I.	427071-011	
3x3x13	250# D.I.	427072-031	
4x4x13	125# C.I.	427073-011	
4x4x13	250# D.I.	427074-031	
5 x 5 x 13	125# C.I.	427193-011	
5 x 5 x 13	250# D.I.	427194-031	
5 x 5 x 13H	125# C.I.	427193-017	
5 x 5 x 13H	250# D.I.	427194-037	
6x6x13 [†]	125# C.I.	427183-011	
6x6x13 [†]	250# D.I.	427184-031	
6x6x13H	125# C.I.	427183-017	
6x6x13H	250# D.I.	427184-037	
8x8x13	125# C.I.	427077-011	
8x8x13	250# D.I.	427078-031	

NOTES: C.I.* DENOTES CAST IRON and D.I.* DENOTES DUCTILE IRON

For other constructions change the suffix to the following:

ALL BRONZE CONSTRUCTION -041

STAINLESS STEEL CONSTRUCTION -071

** CASING PART NUMBERS ARE FOR CASING ONLY, CASING WEAR RING IS SOLD SEPARATELY.

† For 6x6x13 units pre-June 2011, casing & impeller must be replaced together. Contact Armstrong for details.

VERTICAL IN-LINE MODEL 4380 PUMP PARTS

EQUAL SUCTION AND DISCHARGE

"M" SIZE - 1 1/4" IMPELLER BORE - 1 5/8" MECHANICAL SEAL

ITEM 101 CASING GASKET		
PUMP SIZE	PART NUMBER	BAR CODE
1 1/2 X 1 1/2 X 6 4 X 4 X 6W	426401-002	
2 X 2 X 8 3 X 3 X 8 4 X 4 X 8 5 X 5 X 8 6 X 6 X 8W 8 X 8 X 8	426401-003	
1.5 X 1.5 X 10 2 X 2 X 10 3 X 3 X 10 4 X 4 X 10 6 X 6 X 10 8 X 8 X 10	426401-004	
4 X 4 X 11 1/2 5 X 5 X 11 1/2 6 X 6 X 11 1/2 8 X 8 X 11 1/2	426401-006	
3 X 3 X 13 4 X 4 X 13 5 x 5 x 13 5 x 5 x 13H 6 x 6 x 13 6 x 6 x 13H 8 X 8 X 13	426401-005	

**VERTICAL IN-LINE
MODEL 4380
PUMP PARTS
EQUAL SUCTION AND DISCHARGE**

"M" SIZE - 1 1/4" IMPELLER BORE - 1 5/8" MECHANICAL SEAL

ITEM 104 CASING CAPSCREW & WASHER				
PUMP SIZE	NO. REQ'D	SIZE	PART NUMBER	BAR CODE
4 X 4 X 6	8	CAPSCREW 1/2" - 13NC X 1 1/4" LG.	911125-110	
	8	WASHER 1/2" - SAE FLAT	927117-100	
1 1/2 X 1 1/2 X 8 3 X 1 1/2 X 8 2 X 2 X 8 4 X 4 X 8 5 X 5 X 8 6 X 6 X 8 8 X 8 X 8	8	HX. HD. CAPSCREW 5/8" - 11NC X 1 1/2" LG.	911129-112	
	8	WASHER 5/8" - SAE FLAT	927121-100	
1.5 X 1.5 X 10 2 X 2 X 10 3 X 3 X 10 4 X 4 X 10 6 X 6 X 10 8 X 8 X 10	12	CAPSCREW 5/8" - 11NC X 1 1/2" LG.	911129-112	
	12	WASHER 5/8 - SAE FLAT	927121-100	
4 X 4 X 11 1/2 5 X 5 X 11 1/2 6 X 6 X 11 1/2 8 X 8 11 1/2	12	CAPSCREW 1/2" - 13NC X 1 1/2" LG.	911125-112	
	12	WASHER 1/2" - SAE FLAT	927117-100	
3 X 3 X 13 4 X 4 X 13 5 x 5 x 13 5 x 5 x 13H 6 x 6 x 13 6 x 6 x 13H 8 X 8 X 13	16	CAPSCREW 5/8" - 11NC X 1 1/2" LG.	911129-112	
	16	WASHER 5/8 - SAE FLAT	927121-100	

VERTICAL IN-LINE MODEL 4380 PUMP PARTS

EQUAL SUCTION AND DISCHARGE

"M" SIZE - 1 1/4" IMPELLER BORE - 1 5/8" MECHANICAL SEAL

ITEM 105 CASING DRAIN PLUG					
PUMP SIZE	MATERIAL	NO. REQ'D	SIZE	PART NUMBER	BAR CODE
4X4X6	CAD PLATED	1	1/4" NPT	937105-201	
2X2X8					
3X3X8					
4X4X8					
8X8X8					
5X5X8					
1.5 X 1.5 X 10					
2X2X10					
3X3X10					
4X4X10					
8X8X10					
4X4X11 1/2					
5X5X11 1/2					
3X3X13					
4X4X13					
5X5X8	CAD PLATED	1	1/2"NPT	937105-203	
6X6X10					
6X6X11 1/2					
8X8X11 1/2					
5 x 5 x 13					
5 x 5 x 13H					
6 x 6 x 13					
6 x 6 x 13H					
8X8X13					

VERTICAL IN-LINE MODEL 4380 PUMP PARTS

EQUAL SUCTION AND DISCHARGE

"M" SIZE - 1 1/4" IMPELLER BORE - 1 5/8" MECHANICAL SEAL

ITEM 90 CASE WEAR RING				
PUMP SIZE	CONST.	MATERIAL	PART NUMBER	BAR CODE
4X4X6	AB-BF	SAE 660 BRONZE	426413-404	
4X4X6	AI-DI	CLASS 30 C.I.	426413-104	
1 1/2X1 1/2X8	AB-BF	SAE 660 BRONZE	426413-402	
1 1/2X1 1/2X8	AI-DI	CLASS 30 C.I.	426413-102	
2X2X8	AB-BF	SAE 660 BRONZE	426413-404	
2X2X8	AI-DI	CLASS 30 C.I.	426413-104	
3X3X8	AB-BF	SAE 660 BRONZE	426413-407	
3X3X8	AI-DI	CLASS 30 C.I.	426413-107	
4X4X8	AB-BF	SAE 660 BRONZE	426413-410	
4X4X8	AI-DI	CLASS 30 C.I.	426413-110	
5X5X8	AB-BF	SAE 660 BRONZE	426413-413	
5X5X8	AI-DI	CLASS 30 C.I.	426413-113	
6X6X8	AB-BF	SAE 660 BRONZE	426413-404	
6X6X8	AI-DI	CLASS 30 C.I.	426413-104	
1.5X1.5X10	AB-BF	SAE 660 BRONZE	426416-402	
1.5X1.5X10	AI-DI	CLASS 30 C.I.	426416-102	
2X2X10	AB-BF	SAE 660 BRONZE	426413-404	
2X2X10	AI-DI	CLASS 30 C.I.	426413-104	
3X3X10	AB-BF	SAE 660 BRONZE	426413-404	
3X3X10	AI-DI	CLASS 30 C.I.	426413-104	
4X4X10	AB-BF	SAE 660 BRONZE	426413-408	
4X4X10	AI-DI	CLASS 30 C.I.	426413-108	

WEAR RINGS CONTINUED ON PAGE 10

VERTICAL IN-LINE MODEL 4380 PUMP PARTS

EQUAL SUCTION AND DISCHARGE

"M" SIZE - 1 1/4" IMPELLER BORE - 1 5/8" MECHANICAL SEAL

ITEM 90 CASE WEAR RING (cont'd)

PUMP SIZE	CONST.	MATERIAL	PART NUMBER	BAR CODE
6X6X10	AB-BF	SAE 660 BRONZE	426413-412	
6X6X10	AI-DI	CLASS 30 C.I.	426413-112	
8X8X10	AB-BF	SAE 660 BRONZE	426413-414	
8X8X10	AI-DI	CLASS 30 C.I.	426413-114	
4X4X11 1/2	AB-BF	SAE 660 BRONZE	426412-405	
4X4X11 1/2	AI-DI	CLASS 30 C.I.	426412-105	
5X5X11 1/2	AB-BF	SAE 660 BRONZE	426412-411	
5X5X11 1/2	AI-DI	CLASS 30 C.I.	426412-111	
6X6X11 1/2	AB-BF	SAE 660 BRONZE	426412-420	
6X6X11 1/2	AI-DI	CLASS 30 C.I.	426412-120	
8X8X11 1/2	AB-BF	SAE 660 BRONZE	426412-421	
8X8X11 1/2	AI-DI	CLASS 30 C.I.	426412-121	
3x3x13	AB-BF	SAE 660 BRONZE	426413-409	
3x3x13	AI-DI	CLASS 30 C.I.	426413-109	
4X4X13	AB-BF	SAE 660 BRONZE	426413-412	
4X4X13	AI-DI	CLASS 30 C.I.	426413-112	
5 x 5 x 13	AB & BF	SAE 660 BRONZE	426412-411	
5 x 5 x 13	SST 316	STAINLESS STEEL	426412-711	
5 x 5 x 13H	AB & BF	SAE 660 BRONZE	NA	
5 x 5 x 13H	SST 316	STAINLESS STEEL	NA	
6 x 6 x 13	BF	SAE 660 BRONZE	426412-420	
6 x 6 x 13H				
8X8X13	AB-BF	SAE 660 BRONZE	426413-415	
8X8X13	AI-DI	CLASS 30 C.I.	426413-115	

**VERTICAL IN-LINE
MODEL 4380
PUMP PARTS
EQUAL SUCTION AND DISCHARGE**

"M" SIZE - 1 1/4" IMPELLER BORE - 1 5/8" MECHANICAL SEAL

ITEM 102 IMPELLER** 1 1/4" BORE					
PUMP SIZE	MATERIAL	IMP. BORE	MAX. DIA.	PART NUMBER	BAR CODE
4X4X6	BRONZE	1 1/4"	6	427116-041	
4X4X6	CAST IRON	1 1/4"	6	427116-011	
1 1/2X1 1/2X8	BRONZE	1 1/4"	8	427120-041	
1 1/2X1 1/2X8	CAST IRON	1 1/4"	8	427120-011	
2X2X8	BRONZE	1 1/4"	8	427122-041	
2X2X8	CAST IRON	1 1/4"	8	427122-011	
3X3X8	BRONZE	1 1/4"	8	427130-041	
3X3X8	CAST IRON	1 1/4"	8	427130-011	
4X4X8	BRONZE	1 1/4"	8	427138-041 [†]	
4X4X8	CAST IRON	1 1/4"	8	427138-011 [†]	
4X4X8	BRONZE	1 1/4"	8	426240-041 ^{††}	
4X4X8	CAST IRON	1 1/4"	8	426240-011 ^{††}	
5X5X8	BRONZE	1 1/4"	8	427132-041	
5X5X8	CAST IRON	1 1/4"	8	427132-011	
6X6X8	BRONZE	1 1/4"	8	427140-041	
6X6X8	CAST IRON	1 1/4"	8	427140-011	
8X8X8	BRONZE	1 1/4"	8	427918-041	
8X8X8	CAST IRON	1 1/4"	8	427918-011	
1.5X1.5X10	BRONZE	1 1/4"	10	426256-041	
1.5X1.5X10	CAST IRON	1 1/4"	10	426256-011	
2X2X10	BRONZE	1 1/4"	10	427152-041	
2X2X10	CAST IRON	1 1/4"	10	427152-011	
3X3X10	BRONZE	1 1/4"	10	427164-041	
3X3X10	CAST IRON	1 1/4"	10	427164-011	
4X4X10	BRONZE	1 1/4"	10	427150-041	
4X4X10	CAST IRON	1 1/4"	10	427150-011	

NOTES:

** Impeller Part Numbers are for full or maximum diameter Impellers. Always specify Pump Serial Number and where possible, measure and advise the diameter of the Impeller being replaced on these Pumps.

[†] For pre-July 2010 pumps

^{††} For post-July 2010 pumps (do NOT use for Twin or DualArm 6x6x8)

IMPELLERS CONTINUED ON PAGE 12

VERTICAL IN-LINE MODEL 4380 PUMP PARTS

EQUAL SUCTION AND DISCHARGE

"M" SIZE - 1 1/4" IMPELLER BORE - 1 5/8" MECHANICAL SEAL

ITEM 102 IMPELLER** 1 1/4" BORE (cont'd)

PUMP SIZE	MATERIAL	IMP. BORE	MAX. DIA.	PART NUMBER	BAR CODE
6X6X10	BRONZE	1 1/4"	10"	427154-041	
6X6X10	CAST IRON	1 1/4"	10"	427154-011	
8X8X10	BRONZE	1 1/4"	10"	427157-041	
8X8X10	CAST IRON	1 1/4"	10"	427157-011	
4X4X11 1/2	BRONZE	1 1/4"	11 1/2"	426282-041	
4X4X11 1/2	CAST IRON	1 1/4"	11 1/2"	426282-011	
5X5X11 1/2	BRONZE	1 1/4"	11 1/2"	426284-041	
5X5X11 1/2	CAST IRON	1 1/4"	11 1/2"	426284-011	
6X6X11 1/2	BRONZE	1 1/4"	11 1/2"	426288-041	
6X6X11 1/2	CAST IRON	1 1/4"	11 1/2"	426288-011	
8X8X11 1/2	BRONZE	1 1/4"	11 1/2"	426289-041	
8X8X11 1/2	CAST IRON	1 1/4"	11 1/2"	426289-011	
3x3x13	BRONZE	1 1/4"	13	427165-041	
3x3x13	CAST IRON	1 1/4"	13	427165-011	
4x4x13	BRONZE	1 1/4"	13	427169-041	
4x4x13	CAST IRON	1 1/4"	13	427169-011	
5 x 5 x 13	BRONZE	1 1/4"	13.188	427186-041	
5 x 5 x 13	CAST IRON	1 1/4"	13.188	427186-011	
5 x 5 x 13H	BRONZE	1 1/4"	13.188	427182-041	
5 x 5 x 13H	CAST IRON	1 1/4"	13.188	427182-011	
6x6x13 [†]	BRONZE	1 1/4"	13	427182-041	
6x6x13H	BRONZE	1 1/4"	13	427177-041	
8x8x13	BRONZE	1 1/4"	13	427177-041	
8x8x13	CAST IRON	1 1/4"	13	427177-011	

NOTES:

** Impeller Part Numbers are for full or maximum diameter Impellers. Always specify Pump Serial Number and where possible, measure and advise the diameter of the Impeller being replaced on these Pumps.

† For 6x6x13 units pre-June 2011, casing & impeller must be replaced together. Contact Armstrong for details.

VERTICAL IN-LINE MODEL 4380 PUMP PARTS

EQUAL SUCTION AND DISCHARGE

"M" SIZE - 1 1/4" IMPELLER BORE - 1 5/8" MECHANICAL SEAL

ITEM 40 & 50 COMB. STUFF. BOX & ADAPTER				
PUMP SIZE	MOTOR FRAME			
	254-256JM	284-326JM	213-215JP	284-326JP
4X4X6	426748-011			
1 1/2X1 1/2X8			426750-011	
2X2X8	426751-011	426752-011	426750-011	
3X3X8	426751-011	426752-011	426750-011	
4X4X8	426751-015		426750-015	
5X5X8	426751-015	426752-015	426750-015	
6X6X8	426751-015		426750-015	
8x8x8	426751-011		426750-011	
1.5X1.5X10	426755-011		426754-011	426756-011
2X2X10	426755-011		426754-011	426756-011
3X3X10	426755-011		426754-011	426756-011
4X4X10	426755-015		426754-015	
6X6X10	426755-011		426754-011	426756-011
8X8X10	426755-011		426754-011	426756-011
4X4X11 1/2	426742-011		426743-011	426744-011
5X5X11 1/2	426742-011		426743-011	426744-011
6X6X11 1/2	426742-011		426743-011	426744-011
8X8X11 1/2	426742-011			426744-011

The above Part Numbers are for B.F. and A.I. Construction, the suffix will change for other Constructions as follows
 Ductile Iron Construction -031 for -011 and -035 for -015
 All Bronze Construction -041 for -011 and -045 for -015
 Stainless Steel Construction -071 for -011 and -075 for -015

CONTINUED ON PAGE 14
SEE PAGE 14 FOR BAR CODES

VERTICAL IN-LINE

MODEL 4380

PUMP PARTS

EQUAL SUCTION AND DISCHARGE

"M" SIZE - 1 1/4" IMPELLER BORE - 1 5/8" MECHANICAL SEAL

ITEM 40 & 50 COMB. STUFF. BOX & ADAPTER (cont'd)				
PUMP SIZE	MOTOR FRAME			
	254-256JM	284-326JM	213-215JP	284-326JP
3X3X13	426759-011		SEE BELOW	426758-011
4X4X13	426759-011	PLEASE CONSULT FACTORY	SEE BELOW	426758-011
5 x 5 x 13	426759-011			426758-011
5 x 5 x 13H	426759-011			426758-011
6X6X13	426759-011			426758-011
8X8X13	426759-011			426758-011

BAR CODES			
426742-011		426752-011	
426743-011		426752-015	
426744-011		426754-011	
426748-011		426754-015	
426750-011		426755-011	
426750-015		426755-015	
426751-011		426756-011	
426751-015		426758-011	

ITEM 50 STUFFING BOX		
PUMP SIZE	MOTOR FRAME	BAR CODE
	213-215JP	
3 X 3 X 13 4 X 4 X 13	426545-011	

The above Part Numbers are for B.F. and A.I. Construction, the suffix will change for other Constructions as follows

Ductile Iron Construction -031 for -011 and -035 for -015

All Bronze Construction -041 for -011 and -045 for -015

Stainless Steel Construction -071 for -011 and -075 for -015

ITEM 40 ADAPTER		
PUMP SIZE	MOTOR FRAME	BAR CODE
	213-215JP	
3 X 3 X 13 4 X 4 X 13	426388-011	

VERTICAL IN-LINE MODEL 4380 PUMP PARTS

EQUAL SUCTION AND DISCHARGE

"M" SIZE - 1 1/4" IMPELLER BORE - 1 5/8" MECHANICAL SEAL

ITEM 43 & 44 MOTOR CAPS. & WASHER							
PUMP SIZE	MOTOR FRAME						
	254-256JM	284-326JM	213-215JP	284-326JP			
	4 REQUIRED	4 REQUIRED	4 REQUIRED	4 REQUIRED			
4 X 4 X 6	CAPSCREW 1/2"-13NC 1 1/4" LONG 911125-110	CAPSCREW 5/8"-11NC 1 1/4" LONG 911129-110	CAPSCREW 1/2"-13NC 1 1/4" LONG 911125-110	CAPSCREW 5/8"-11NC 1 1/4" LONG 911129-110			
1 1/2 X 1 1/2 X 8							
2 X 2 X 8							
3 X 3 X 8							
4 X 4 X 8							
5 X 5 X 8							
6 X 6 X 8							
8 x 8 x 8							
1.5X1.5X10		C O N S U L F A C T O R Y			WASHER 5/8" FLAT 927121-100	WASHER 1/2" FLAT 927117-100	WASHER 5/8" FLAT 927121-100 927121-100
2 X 2 X 10							
3 X 3 X 10							
3 X 3 X 10							
4 X 4 X 10							
6 X 6 X 10							
8 X 8 X 10							
4 X 4 X 11 1/2							
5 X 5 X 11 1/2							
6 X 6 X 11 1/2							
8 X 8 X 11 1/2							
3 X 3 X 13	CAPSCREW 5/8"-11NC 1 3/4" LONG 911129-114	WASHER 5/8" FLAT 927121-100	WASHER 5/8" FLAT 927121-100	WASHER 5/8" FLAT 927121-100			
4 X 4 X 13							
5 x 5 x 13							
5 x 5 x 13H							
6 X 6 X 13							
8 X 8 X 13							

BAR CODES			
911125-110		911129-114	
911129-110		927117-100	
911129-112		927121-100	

VERTICAL IN-LINE MODEL 4380 PUMP PARTS

EQUAL SUCTION AND DISCHARGE

"M" SIZE - 1 1/4" IMPELLER BORE - 1 5/8" MECHANICAL SEAL

COMMON PARTS				
ITEM NO.	DESCRIPTION	CONST.	PART NUMBER	BAR CODE
70	SHAFT SLEEVE FRAMES 254-256 & 284-326JM	B.F.	425869-003	
70	SHAFT SLEEVE FRAMES 254-256 & 284-326JM	A.I.	425869-004	
70	SHAFT SLEEVE FRAMES 213-215 & 284-326JP	B.F.	425869-021	
70	SHAFT SLEEVE FRAMES 213-215 & 284-326JP	A.I.	425869-022	
62	MECHANICAL SEAL KIT	ALL	975000-984**	
71	SLEEVE SPACER	ALL	425868-004	
39	WATER SLINGER	ALL	419315-000	
83	IMPELLER WASHER	ALL	425742-003	
84	IMPELLER LOCKWASHER	ALL	927213-400	
86	IMPELLER CAPSCREW	ALL	911900-119	

** For liquids above 200°F/93°C use 9975001-833 (-633 if potable drinking water above 200°F/93°C)
For glycols above 30% by weight use 9975001-837 (-838 if above 200°F/93°C)

**VERTICAL IN-LINE
MODEL 4380
PUMP PARTS**

EQUAL SUCTION AND DISCHARGE

"M" SIZE - 1 1/4" IMPELLER BORE - 1 5/8" MECHANICAL SEAL

ITEMS 70 & 71 SHAFT SLEEVE & SPACER KITS

ITEM	DESCRIPTION	CONST.	PART	BAR CODE
70 & 71	SHAFT SLV. & SPACER KIT FRAMES 254-256 & 284-326JM	B.F.	810150-154	
70 & 71	SHAFT SLV. & SPACER KIT FRAMES 254-256 & 284-326JM	A.I.	810150-155	
70 & 71	SHAFT SLV. & SPACER KIT FRAMES 213-215 & 284-326JP	B.F.	810150-152	
70 & 71	SHAFT SLV. & SPACER KIT FRAMES 213-215 & 284-3JP26	A.I.	810150-153	

**VERTICAL IN-LINE
MODEL 4380
PUMP PARTS**

EQUAL SUCTION AND DISCHARGE

"M" SIZE - 1 1/4" IMPELLER BORE - 1 5/8" MECHANICAL SEAL

ITEM 57 & 58 MALE CONNECTOR**

PUMP SIZE	NO. REQ'D.	MAT.	SIZE	CONST.	PART NUMBER	BAR CODE
ALL	1	BRASS	3/8" TUBE X 1/4"NPT	B.F./A.B.	939001-114	
ALL	1	STEEL	3/8" TUBE X 1/4"NPT	A.I.	939001-214	

ITEM 59 FLUSH LINE TUBING**

PUMP SIZE	NO. REQ'D.	MAT.	SIZE	CONST.	PART NUMBER	BAR CODE
4X4X6 TO 8X8X13	1	COPPER	3/8" OD X 12"LG.	B.F./A.B.	997531-004	
		STEEL		A.I.	997153-004	

ITEM 102 GAUGE PLUG

PUMP SIZE	NO. REQ'D	MAT.	SIZE	CONST.	PART NUMBER	BAR CODE
ALL	4	CAD. PLTD. STEEL	1/4" NPT	ALL	937105-201	