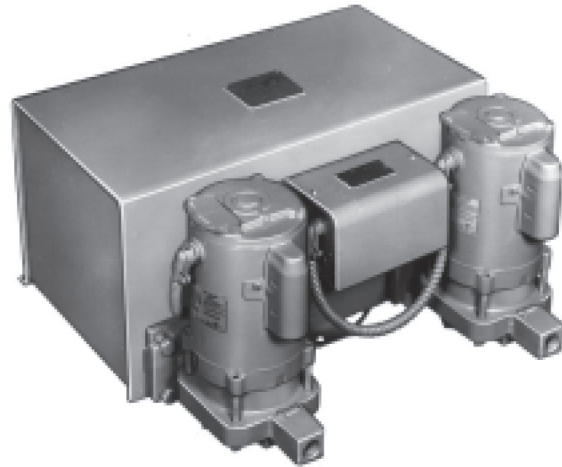




Watchman® Series WC  
Cast Iron Receiver  
Single or Duplex



Watchman® Series WCS  
Steel Receiver  
Single or Duplex

# Hoffman Specialty Watchman® Series WC® & WCS® Condensate Units Replacement Parts

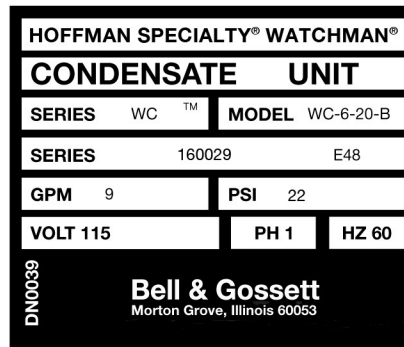
Shortys HVAC Supplies  
[www.shortyshvac.com](http://www.shortyshvac.com)  
[www.shortypumps.com](http://www.shortypumps.com)  
877-821-8770  
[parts@shortyshvac.com](mailto:parts@shortyshvac.com)

# Index

|   |     |
|---|-----|
| How To Use This Parts List . . . . .                  | 3   |
| Identifying Your Watchman Unit . . . . .              | 4-7 |
| Pump Parts for “B” Style Pump . . . . .               | 8   |
| Pump Parts for “A” Style Pump . . . . .               | 8   |
| Float Switches & Mechanical Alternators . . . . .     | 9   |
| Receivers, Conduit Assemblies & Misc. Parts . . . . . | 10  |

# How to use this PARTS LIST

The unit nameplate identifies the Watchman unit by its respective unit designation as is shown below.



The nameplate identifies the pump in the example above as a Series WC, model number WC 6-20-B. The serial number that is noted on the nameplate corresponds to the Bell & Gossett commodity code number that has appeared on your Domestic/Hoffman price sheets.

Units that have nameplates showing the former Shippensburg, PA address will not refer to commodity codes and should be identified by the physical characteristics of the pumps furnished on the unit.

- All Shippensburg, PA built units were furnished with the “A” Design Receivers. (See Pages 6 and 7.)
- Units manufactured between December 1, 1982 and September 30, 1983 will show the Shippensburg, PA address and were furnished with the “B” Style Pumps and “A” Design Receivers.
- Units manufactured between October 1, 1983 and June 30, 1990 show the Morton Grove, IL address and were furnished with the “B” Style Pumps and “A” Design Receivers.
- Units manufactured after July 1, 1990 were furnished with both the “B” Style Pumps and “B” Design Receivers.

The following procedure is recommended for determining appropriate replacement parts.

1. Determine if the address shown on the nameplate is Shippensburg, PA (all units manufactured 1983 or earlier) or Morton Grove, IL (all units after October 1, 1983).
2. Determine by physical characteristics if the **Pump** is a Packed Construction, “A” Style or “B” Style. Refer to pages 4, 5 & 6 for information regarding how to determine if pump is Packed, “A” or “B” Style.
3. Select items from drawings on pages 6 and 7.
4. Refer to the index to determine appropriate pages for parts information.

# Identifying Your Watchman Unit

Due to the fact that the Watchman unit is a factory stocked product, unique serial numbers have not been applied to the product. It is therefore necessary to identify the specific generation of product by the physical characteristics of the pump and of the receiver.

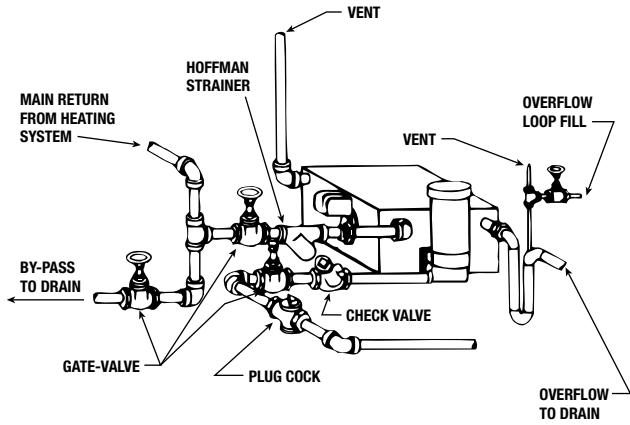
**Figure 1** on the following page indicates two types of piping arrangements that have been used for the Watchman. You'll note the Packing Construction and "A" Style Watchman indicates a discharge pipe that is parallel to the receiver face (a 90 degree discharge from the pump suction). The "B" Style is piped perpendicular to the receiver face (a 180 degree or in-line discharge from the pump suction). This only applies to the "A" design receiver configuration.

**Figure 2** shows cut-away drawings of all three generations of pumps used on the Watchman. The uniquely identifiable characteristics of each generation is the discharge orientation and the number of capscrews used to hold the volute to the motor (or motor bracket). By using these two easily identifiable characteristics, and referring to the following chart, it is possible to identify the style of pump on the unit.

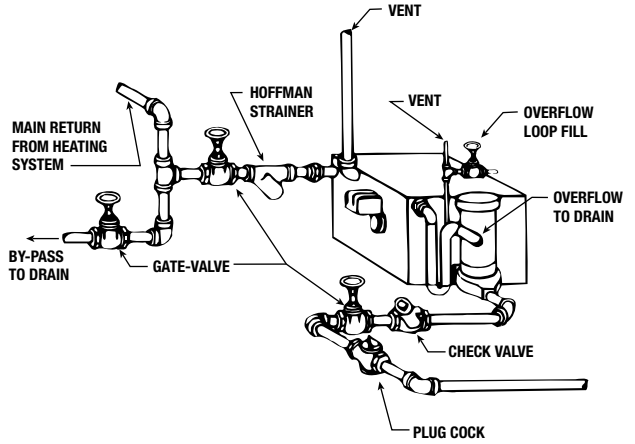
|             | Suction to<br>Discharge Orientation | No. of<br>Capscrews |
|-------------|-------------------------------------|---------------------|
| Packed Pump | 90                                  | 4                   |
| "A" Style   | 90                                  | 3                   |
| "B" Style   | 180                                 | 4                   |

**Figure 3** indicates the parts required to adapt the current "B" Style pump and motor assembly to replace the older design "A" Style pump. Note that the adapter piping is about 1/2" wider than the "A" Style pump and motor discharge position. This can be taken up by use of a short nipple and/or a union in place of the existing discharge piping.

FIGURE 1

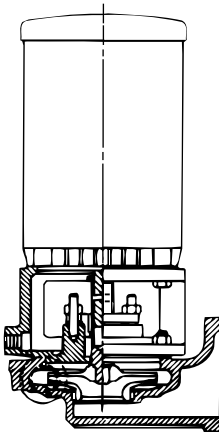


WC PACKED AND "A" STYLE

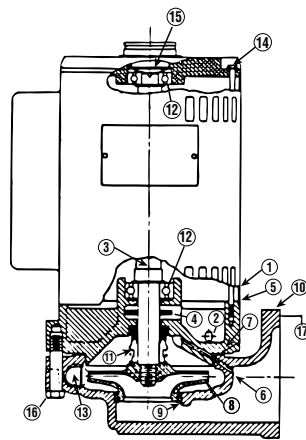


WC "B" STYLE

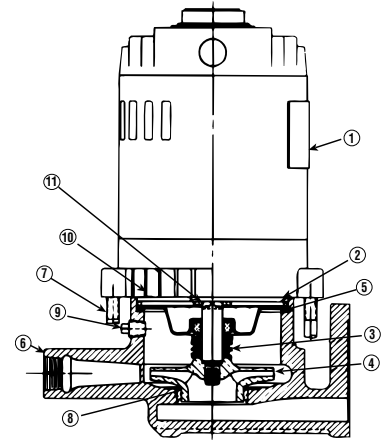
FIGURE 2



PACKED PUMP



"A" STYLE



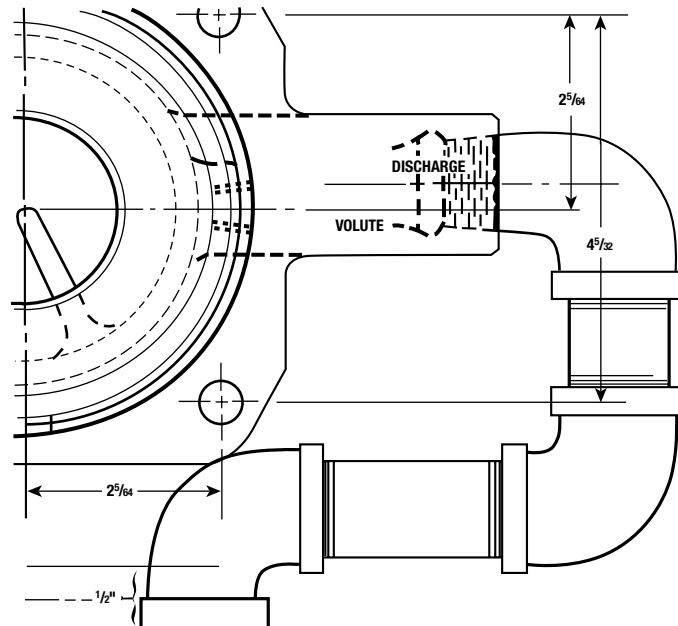
"B" STYLE

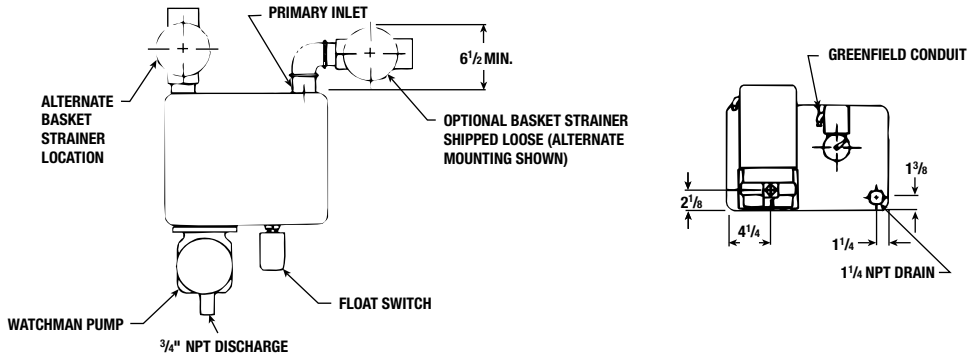
FIGURE 3

Piping Conversion  
"B" To "A" Style  
Location

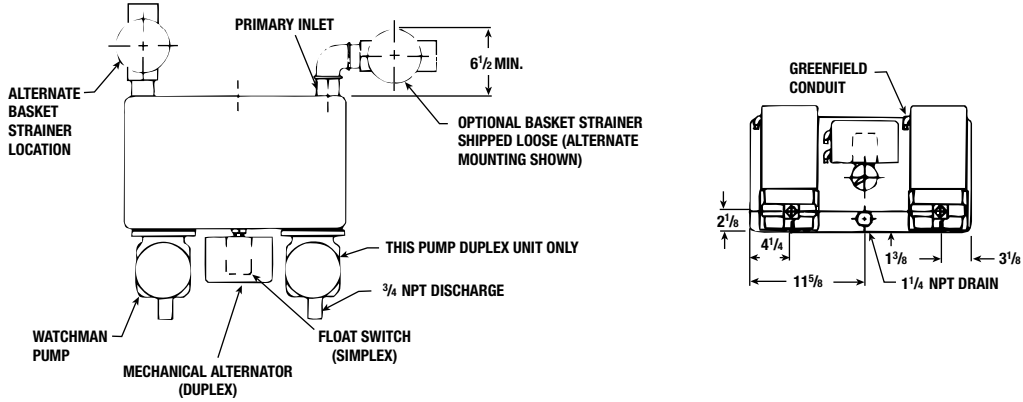
Items Required To  
Adjust Piping

- (1) 3/4" 90° Street Elbow
- (1) 3/4" X 2" Nipple
- (1) 3/4" 90° Elbow
- (1) 3/4" X 2 1/2" Nipple
- (1) 3/4" 90° Elbow

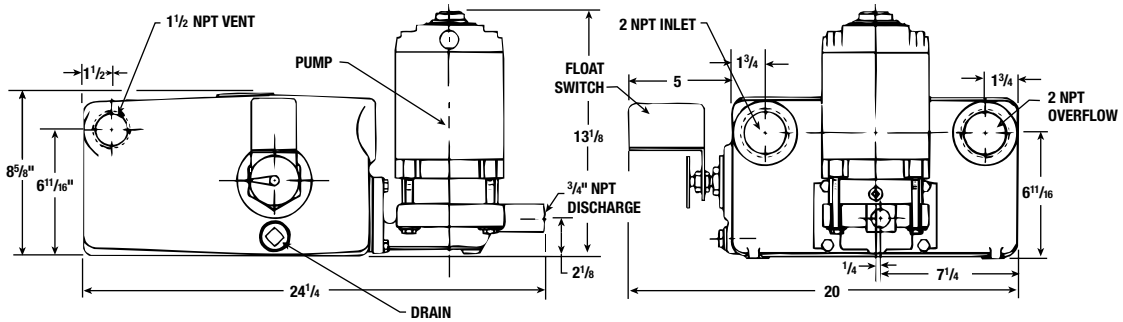




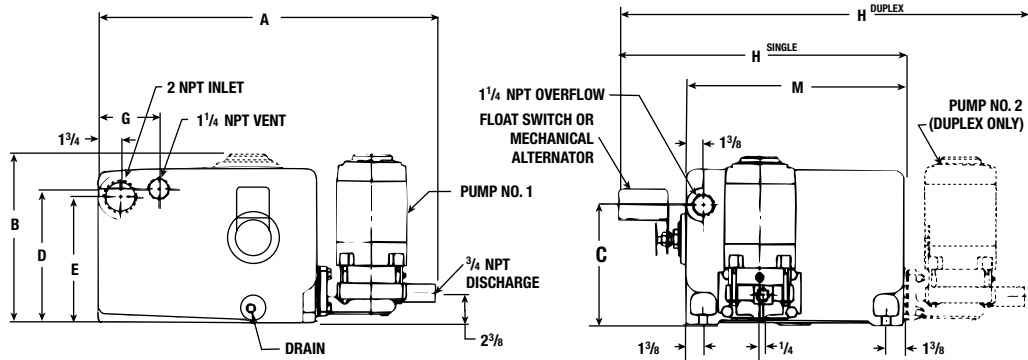
**6 & 9 GALLON "B" STYLE PUMP / "B" DESIGN RECEIVER**



**14 GALLON "B" STYLE PUMP / "B" DESIGN RECEIVER**

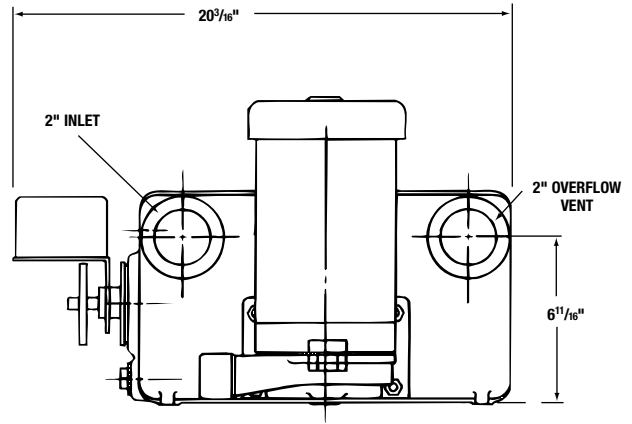
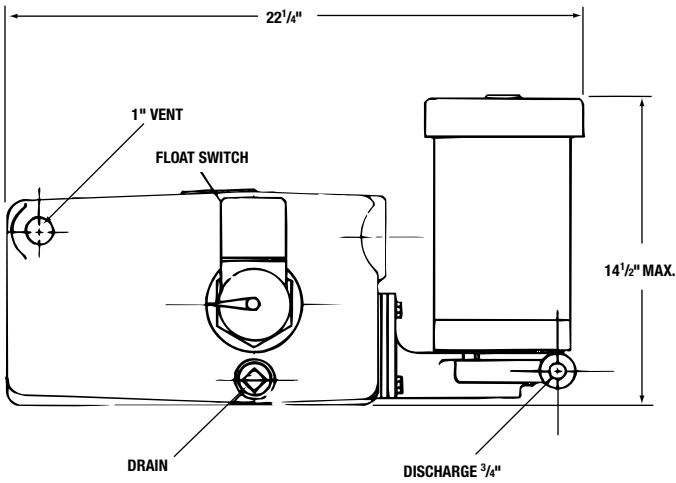


**6 GALLON "B" STYLE PUMP / "A" DESIGN RECEIVER**

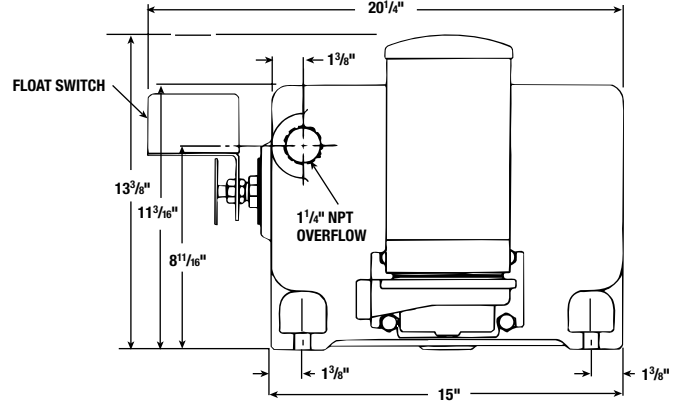
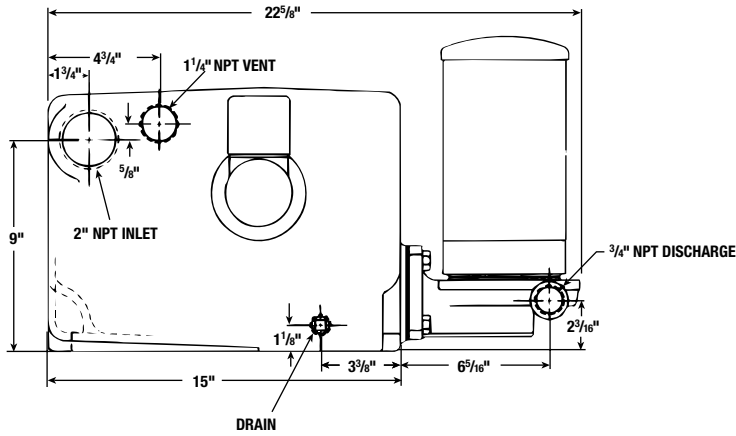


**9 & 14 GALLON "B" STYLE PUMP / "A" DESIGN RECEIVER**

| EDR    | STYLE  | REC. CAP | A                              | B                              | C                             | D                              | E                             | F                             | G                             | H                                | M  |
|--------|--------|----------|--------------------------------|--------------------------------|-------------------------------|--------------------------------|-------------------------------|-------------------------------|-------------------------------|----------------------------------|----|
| 8,000  | Single | 9        | 24 <sup>1</sup> / <sub>2</sub> | 13 <sup>3</sup> / <sub>8</sub> | 8 <sup>5</sup> / <sub>8</sub> | 9 <sup>5</sup> / <sub>8</sub>  | 9                             | 7 <sup>1</sup> / <sub>2</sub> | 4 <sup>3</sup> / <sub>4</sub> | 20 <sup>3</sup> / <sub>4</sub>   | 15 |
| 12,000 | Single | 14       | 26 <sup>3</sup> / <sub>8</sub> | 13 <sup>3</sup> / <sub>8</sub> | 9 <sup>1</sup> / <sub>2</sub> | 10 <sup>1</sup> / <sub>2</sub> | 9 <sup>7</sup> / <sub>8</sub> | 5 <sup>3</sup> / <sub>4</sub> | 4 <sup>3</sup> / <sub>4</sub> | 23 <sup>13</sup> / <sub>16</sub> | 17 |
| 12,000 | Duplex | 14       | 26 <sup>3</sup> / <sub>8</sub> | 13 <sup>3</sup> / <sub>8</sub> | 9 <sup>1</sup> / <sub>2</sub> | 10 <sup>1</sup> / <sub>2</sub> | 9 <sup>7</sup> / <sub>8</sub> | 5 <sup>3</sup> / <sub>4</sub> | 4 <sup>3</sup> / <sub>4</sub> | 31 <sup>7</sup> / <sub>8</sub>   | 17 |

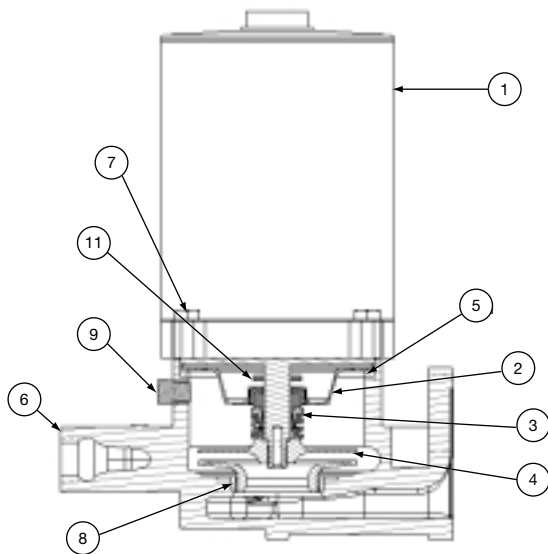


**6 GALLON "A" STYLE PUMP / "A" DESIGN RECEIVER**

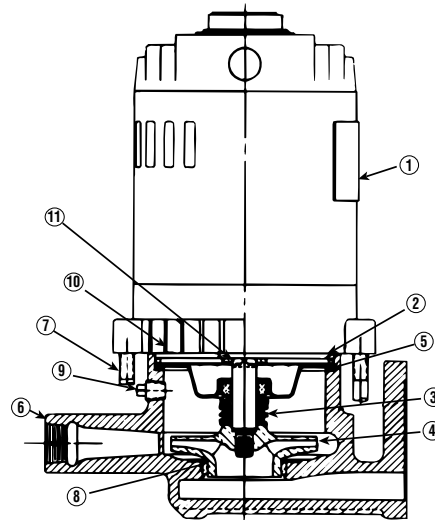


**9 & 14 GALLON "A" STYLE PUMP / "A" DESIGN RECEIVER**

| SQUARE FEET EDR | STYLE  | RECEIVER CAPACITY GALLON | DIMENSIONS |                               |                               |
|-----------------|--------|--------------------------|------------|-------------------------------|-------------------------------|
|                 |        |                          | A          | B                             | C                             |
| 8,000           | Single | 9                        | 24         | 9                             | 8 <sup>5</sup> / <sub>8</sub> |
| 8,000           | Duplex | 14                       | 27         | 7 <sup>7</sup> / <sub>8</sub> | 9 <sup>1</sup> / <sub>2</sub> |
| 12,000          | Single | 14                       | 27         | 9 <sup>7</sup> / <sub>8</sub> | 9 <sup>1</sup> / <sub>2</sub> |
| 12,000          | Duplex | 14                       | 27         | 9 <sup>7</sup> / <sub>8</sub> | 9 <sup>1</sup> / <sub>2</sub> |



AFTER 2003



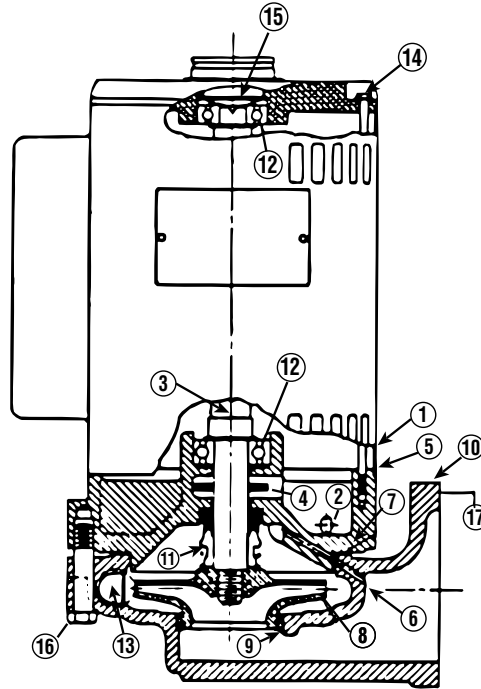
1983-2003

|                |   |                    | PUMPS<br>MANUFACTURED<br>BETWEEN 1983<br>TO 2003 | PUMPS<br>MANUFACTURED<br>AFTER 2003 |
|----------------|---|--------------------|--|-------------------------------------|
| ITEM<br>NUMBER | DESCRIPTION   | NUMBER<br>REQUIRED | PART<br>NUMBER                                   | PART<br>NUMBER                      |
| 1              | Motor 1/3 hp, 1 ph, 3500 rpm  | 1                  | DM0005   | DM0005                              |
| 2              | Seal Holder   | 1                  | DP0290   | DP1966                              |
| 3              | Seal  | 1                  | —  | —                                   |
| 4              | Impeller  | 1                  | DP0321   | DP0321                              |
| 5              | Head Gasket   | 1                  | DG0092   | DG0092                              |
| 6              | Pump Case with Wearing Ring   | 1                  | DP1665   | DP1665                              |
| 7              | Capscrew  | 4                  | DJ0083   | DJ0083                              |
| 8              | Wear Ring   | 1                  | DP0482   | DP0482                              |
| 9              | Pipe Plug 1/4"  | 1                  | P39040   | P39040                              |
| 10             | Wire Spacer   | 1                  | DP0291   | —                                   |
| 11             | Water Slinger   | 1                  | DP0848   | DP0848                              |
|                | Seal Kit including Mechanical Seal, Head Gasket & Case to Receiver Gasket | 1                  | 180013   | 180013                              |
|                | Complete Pump and Motor Assembly  | 1                  | 180001   | 180001                              |

Order Replacement Parts by Description and Part No.  
Specify Serial No. shown on nameplate.



## WATCHMAN "A" STYLE PUMP AND MOTOR ASSEMBLY



| ITEM NUMBER | DESCRIPTION   | NUMBER REQUIRED | PART NUMBER |
|-------------|---|-----------------|-------------|
| 1-5         | Motor with Pump Head  | 1               | 180061      |
| 4           | Water Slinger   | 1               | DP0848      |
| 5           | Pump Head   | 1               | DP0206      |
| 7           | Head Gasket   | 1               | DG0134      |
| 8           | Impeller  | 1               | DP0321      |
| 9           | Case Wearing Ring   | 1               | DP0482      |
| 9-10        | Pump Case with Wearing Ring   | 1               | DP1602      |
| 16          | Head to Case Capscrews  | 3               | DJ0077      |
| 17          | Case to Receiver Gasket   | 1               | DG0060      |
| *           | Seal Kit including Mechanical Seal, Head Gasket & Case to Receiver Gasket | 1               | 180013      |
|             | Complete Pump and Motor Assembly  | 1               | 180060      |

Order Replacement Parts by Description and Part No.  
Specify Serial No. shown on nameplate.

\* Seal only. Consult factory.

– Factory recommended spare parts.

## FLOAT SWITCH ASSEMBLY

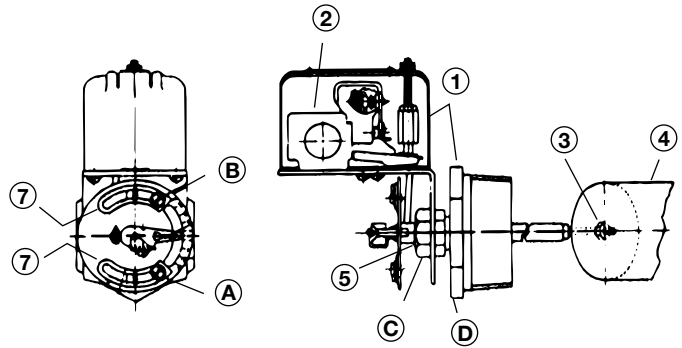
### INSTRUCTIONS

**APPLICATION** – For automatically controlling the liquid level in a closed tank by float movement.

**MOUNTING** – Screw-in Tank Float Switches are mounted directly to the tank by means of the 2 $\frac{1}{2}$ " I.P.S. threaded fitting (D). Before screwing this fitting into the tank, loosen Nut (C) so that the fitting (D) is free to rotate in the switch bracket. Tighten the fitting (D) so that there will be no leak past the threads. Then revolve the switch case until it is horizontal and tighten Nut (C).

**REVERSE ACTION** – To change, relocate operating link to the opposite slot in base plate and corresponding hole in adjusting plate.

**ADJUSTMENT** – Switches are shipped from the factory set for a specified float travel. Reasonable adjustment of float travel can be made in the field by moving adjusting strips (7) which are held in place by Screws (A) and (B). Loosening Screw (B) and moving upper adjusting strip (7) will affect the upper limit of float travel only. Loosening Screw (A) and moving lower adjusting strip (7) will affect the lower limit of float travel.



**CAUTION:** Switches are shipped with a bracket attached to the mounting plate. This bracket prevents the float and the rod from moving in the tank during shipment. When installing the system, this clearly marked shipping bracket must be removed and discarded.

| ITEM NUMBER | DESCRIPTION                              | NUMBER REQUIRED | PART NUMBER |
|-------------|--|-----------------|-------------|
| 1           | Complete Float Switch with Foat – NEMA 1 | 1               | DA0393      |
| 4           | Float                                    | 1               | DA0165      |
| *           | Float Switch Seal Kit                    | 1               | 180095      |

## MECHANICAL ALTERNATOR ASSEMBLY

### INSTRUCTIONS

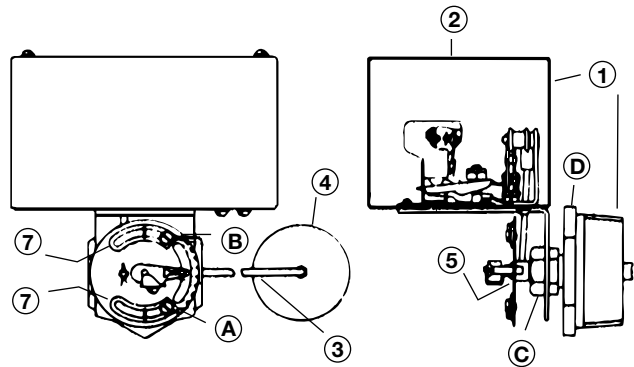
**APPLICATION** – Mechanical alternators serve to open and close an electric circuit by an upward and downward float movement. The forces are applied by means of a float operating between different liquid levels. The action is such that two switch units are alternated on successive cycles. If the liquid level continues to rise or fall with one pump in operation, the lever will continue to travel to a further position at which point the “second” switch will be operated, throwing the stand-by pump across the line.

**MOUNTING** – Mechanical alternators are mounted directly to the tank by means of the 2 $\frac{1}{2}$ " I.P.S. threaded fitting (D). Before screwing this fitting into the tank, loosen Nut (C) so that the fitting (D) is free to rotate in the switch bracket. Tighten the fitting (D) so that there will be no leak past the threads. Then revolve the switch case until it is horizontal and tighten Nut (C).

**STANDARD OPERATION** – Contacts are arranged for sump action. In this form the contacts will close on increase in liquid level.

**REVERSE ACTION** – To change, relocate operating link to the opposite slot in base plate and corresponding hole in adjusting plate.

**ADJUSTMENT** – Switches are shipped from the factory set for a specified float travel. Reasonable adjustment of float travel can be made in the field by moving adjusting strips (7) which



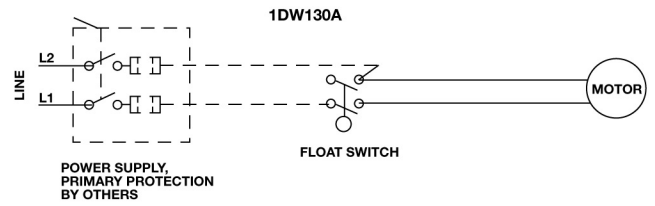
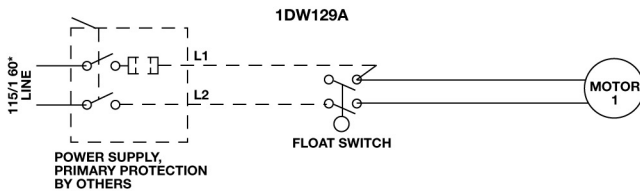
are held in place by Screws (A) and (B). Loosening Screw (B) and moving upper adjusting strip (7) will affect the upper limit of float travel only. Loosening Screw (A) and moving lower adjusting strip (7) will affect the lower limit of float travel.

**CAUTION:** Switches are shipped with a bracket attached to the mounting plate. This bracket prevents the float and the rod from moving in the tank during shipment. When installing the system, this clearly marked shipping bracket must be removed and discarded.

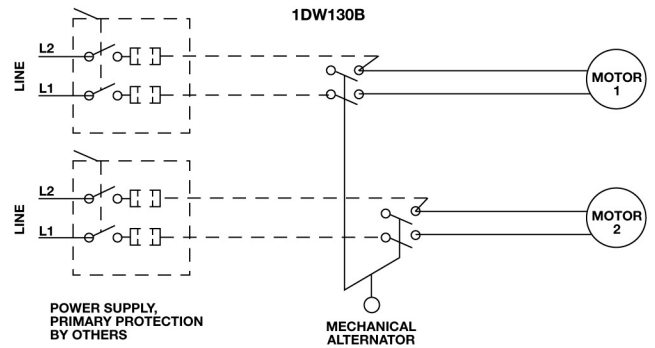
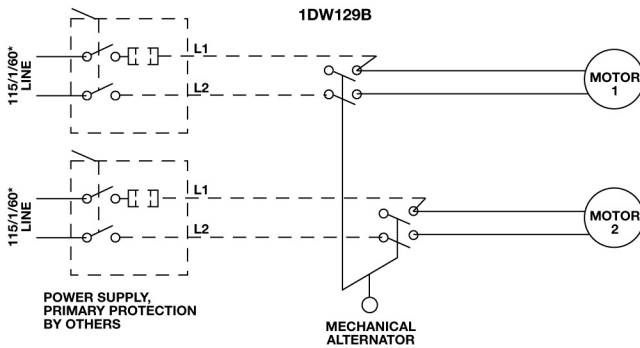
| ITEM NUMBER | DESCRIPTION                             | NUMBER REQUIRED | PART NUMBER |
|-------------|---|-----------------|-------------|
| 1           | Complete Mech. Altr. with Foat – NEMA 1 | 1               | DA0361      |
| 4           | Float                                   | 1               | DA0165      |
| *           | Float Switch Seal Kit                   | 1               | 180095      |

## REPRESENTATIVE WIRING DIAGRAMS

### WATCHMAN® SIMPLEX UNITS, SINGLE PHASE



### WATCHMAN® AND SCC1 DUPLEX UNITS, SINGLE PHASE



FIELD WIRING SHOULD BE IN ACCORDANCE WITH NATIONAL ELECTRIC CODE.  
DASHED LINE WIRING & COMPONENTS BY OTHERS

\*230/1/60 VOLTAGE PERMISSIBLE IF MOTOR IS RECONNECTED PER 'HIGH VOLTAGE' DIAGRAM ON MOTOR AND APPLICABLE PRIMARY PROTECTION IS SUPPLIED.

### RECEIVERS

| SIZE                | PART NUMBER |
|---------------------|-------------|
| 6 Gallon B          | DR0610      |
| 9 Gallon B          | DR0612      |
| 14 Gallon B         | DR0614      |
| 6 Gallon B Steel    | DT0766      |
| 9 Gallon B Steel    | DT0769      |
| 14 Gallon B Steel   | DT0772      |
| 6 Gallon A          | DR0202      |
| 9 Gallon A          | DR0206      |
| 14 Gallon A Simplex | DR0216      |
| 14 Gallon A Duplex  | DR0214      |

☐ – Factory recommended spare parts.

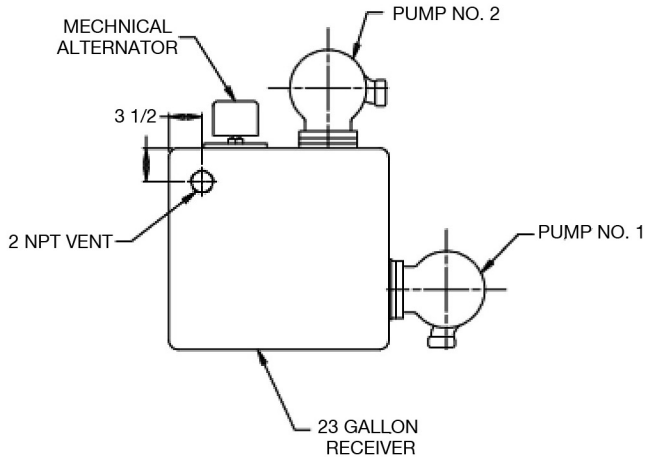
### CONDUIT ASSEMBLIES

|                     |                 |
|---------------------|-----------------|
| 6 Gallon B          | DE0084          |
| 9 Gallon B          | DE0084          |
| 14 Gallon B         | DE0084          |
| 6 Gallon A          | DE0802          |
| 9 Gallon A          | DE0802          |
| 14 Gallon A Simplex | DE0802          |
| 14 Gallon A Duplex  | DE0802 & DE0804 |

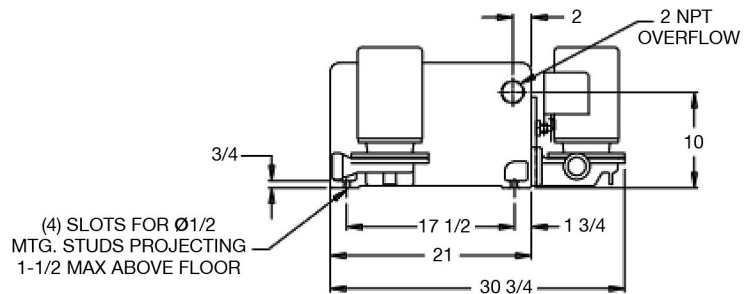
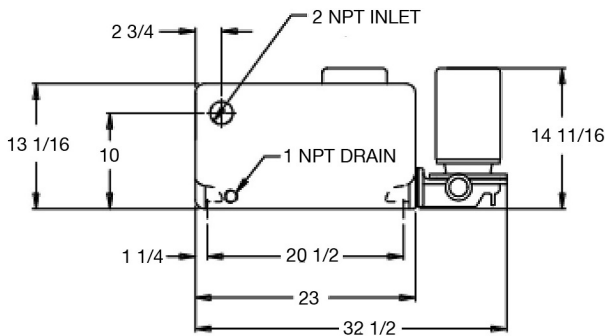
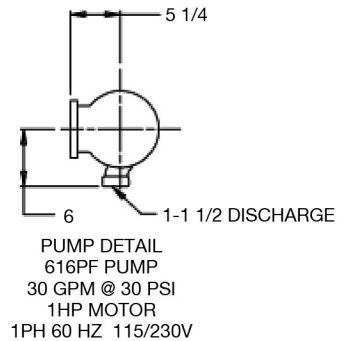
### MISCELLANEOUS PARTS

|                        |        |
|------------------------|--------|
| Blind Flange           | DF0210 |
| Gasket                 | DG0060 |
| Mounting Capscrews (4) | DJ0113 |

# WCD30-30 B MA



RECEIVER CAPACITY:  
GROSS 23 GALLONS  
NET 16 GALLONS



## Pump and Motor Assembly 180027

| Description             | Part Number | Quantity |
|-------------------------|-------------|----------|
| Motor                   | DM0055      | 1        |
| Impeller                | DP0336      | 1        |
| Pump Head/Motor Bracket | DP0208      | 1        |
| Wearing Ring            | DP0482      | 1        |
| Impeller Capscrew       | DJ0213      | 1        |
| Impeller Washer         | DJ0267      | 1        |
| Capscrews               | DJ0066      | 8        |
| Water Slinger           | DP0848      | 1        |
| Seal and Gasket Kit     | 180014      | 1        |

| Description             | Part Number | Quantity |
|-------------------------|-------------|----------|
| Pump to receiver gasket | DG0060      | 2        |
| Plug                    | F08400      | 1        |
| Plug                    | U19200      | 1        |
| Hex Nut                 | F11400      | 8        |
| Mechanical Alternator   | DA0361      | 1        |
| Pump mounting studs     | DJ0479      | 8        |
| Receiver                | DR0218      | 1        |
| Hex Nut                 | F11400      | 8        |
| Plug 2-1/2 "            | F12200      | 1        |
| Plug 1/2"               | H47900      | 1        |
| Plug 1/2"               | H47900      | 2        |
| Conduit Assembly        | DE1878      | 1        |
| Conduit Assembly        | DE0084      | 1        |
| Pump and motor Assembly | 180027      | 2        |

**xylem**  
Let's Solve Water

Xylem Inc.  
8200 N. Austin Avenue  
Morton Grove, Illinois 60053  
Phone: (847) 966-3700  
Fax: (847) 965-8379  
www.bellgossett.com

Bell & Gossett is a trademark of Xylem Inc. or one of its subsidiaries.  
© 2013 Xylem Inc. DN0436C February 2013